

Measuring Tools

From the editors of
CANADIAN
Woodworking
& HOME IMPROVEMENT



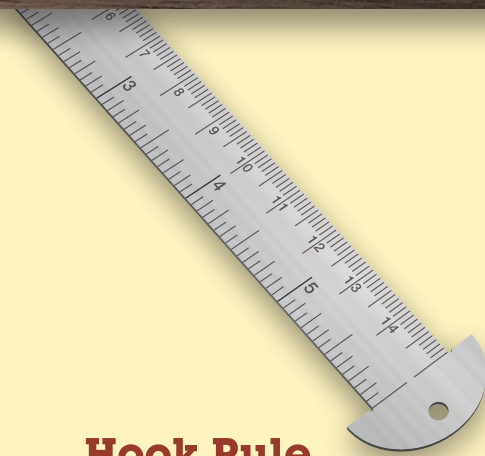
Tape Measure

Ranging in lengths from about 3' to over 25', a tape measure is the most popular measuring tool in a woodworking shop and DIYers tool box. Can measure inside and outside distances, as the hook on a tape measure automatically adjusts by the thickness of the hook to maintain accuracy. Available in metric, Imperial and a combination of both.



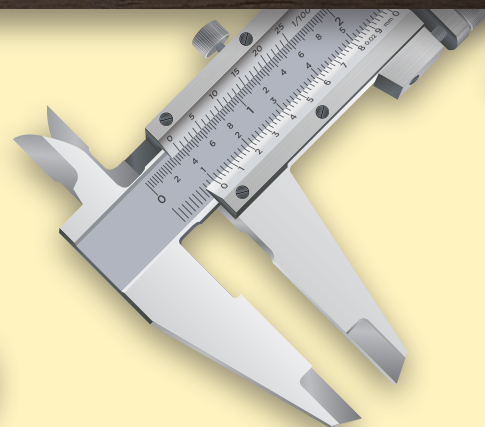
Rule

Generally used to measure the distance between two points, or to draw a line of a certain distance. Some rules are short enough to fit into an apron pocket (6"), while others are meant to be hung up (12" to 24"). Some rules have gradations on the ends, adding to their versatility. Available in metric, Imperial and a combination of both.



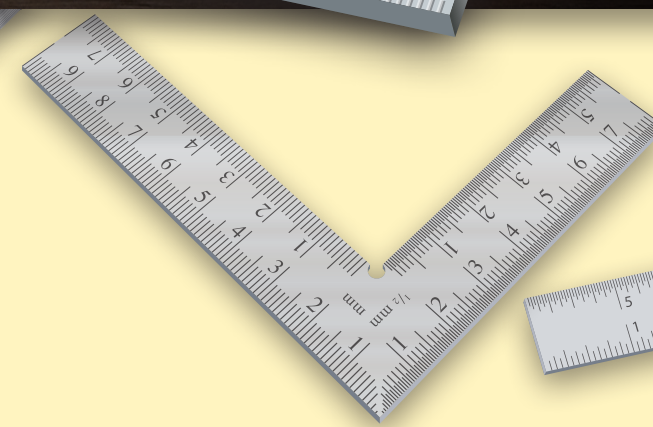
Hook Rule

Similar to a standard rule, but with a hook on either side of the rule's edge. This hook can be used to align the rule with the edge of a workpiece so the measurement is more accurate. Isn't a replacement for a standard rule, but is a great compliment. Many are available with metric measurements on one side and Imperial measurements on the other.



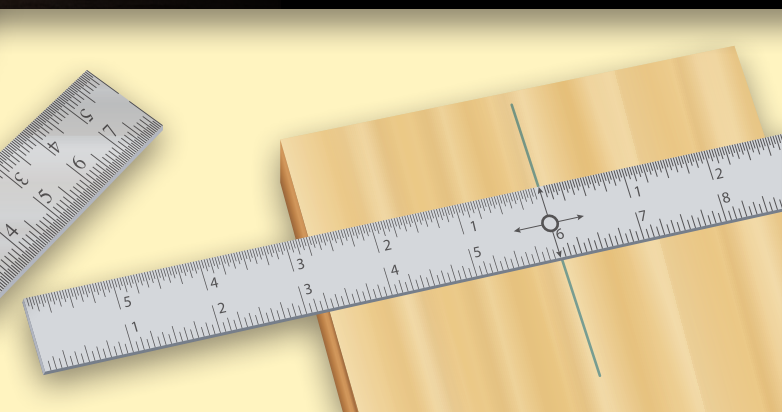
Vernier Calipers

Used when extreme accuracy is necessary. Available in pocket-sized or regular-sized formats, they measure inside distances, outside distances and have a depth gauge to measure cavity depths as well. Metric, Imperial and combination options available, as well as standard, dial or digital readout options.



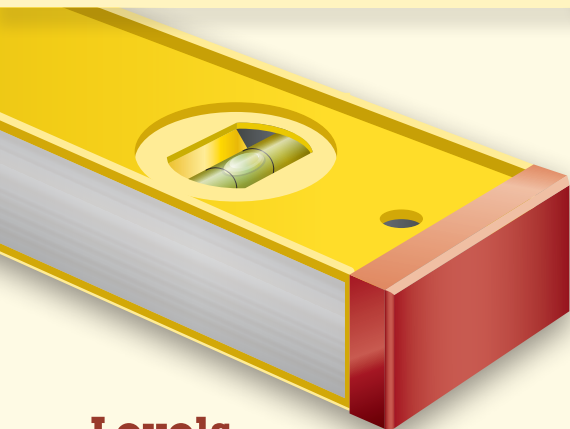
6" Pocket Square

A multi-functional tool, these squares allow you to measure inside and outside distances, while also checking for square. Great for both general woodworking tasks and machine setup, due to the inherent level of accuracy. Available graduated in metric and Imperial.



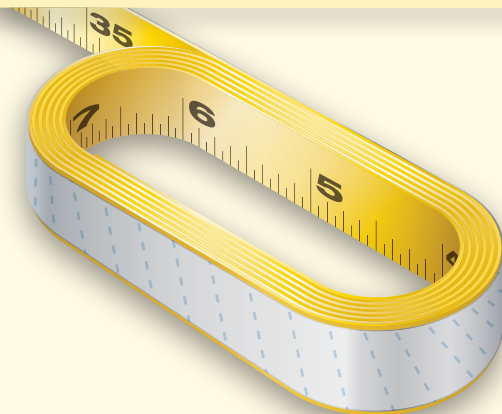
Center Point / Center-Finding Rules

Though they work slightly differently, they both do the same thing; allow you to quickly and accurately find the center of a board.



Levels

Though not often used for furniture making, a level is critical when doing most home improvement work. Different lengths are available, and having one short level and one longer level on hand is advisable.



Steel Jig Tapes

Mainly for use with jigs and fixtures, these tapes add an extra element of simplicity and accuracy to your work. The most common usage is on a shop-made mitre saw fence, though router tables, drill press tables and a wide variety of jigs could benefit from one of these tapes.



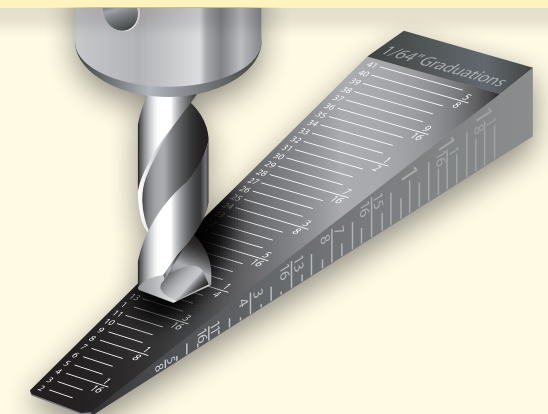
Digital Inclinometer

Allows you to measure the relative angle between two flat surfaces. Generally used for fine tuning machine setup to ensure initial accuracy, but is also great for accurately setting circular saw blade angles for precise cuts. Place the inclinometer on the main surface and zero it, then move it to the second surface to read the angle.



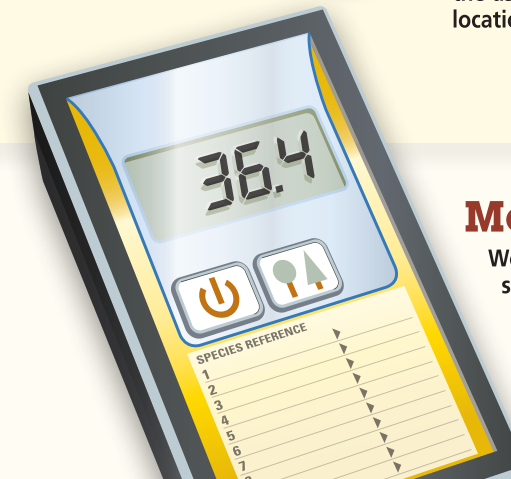
Inside / Outside Calipers

Mainly used while turning, these calipers will collectively measure virtually all inside and outside dimensions of a workpiece. You could also transfer dimensions to different workpieces. A small nut typically adjusts the opening of the tips.



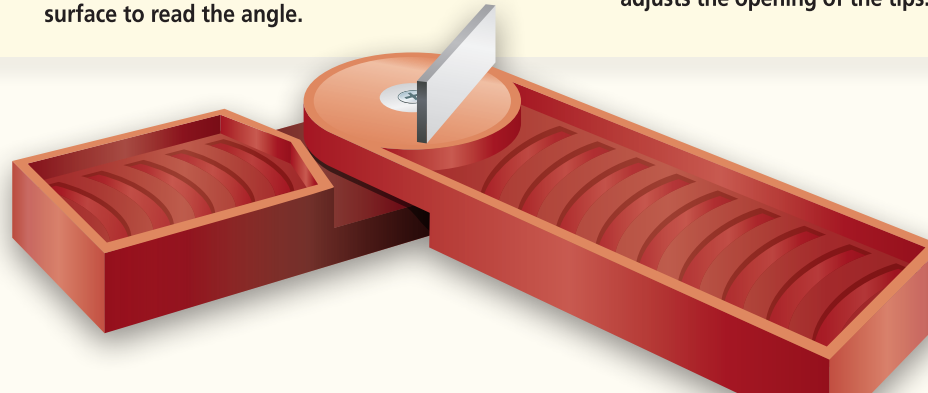
Tapered Gauges

When accuracy is paramount, a taper gauge might be the answer. By stretching a metric or Imperial scale over a longer distance a higher level of accuracy is available to the user. For setting router and drill bits, as well as fence locations.



Moisture Meter

Working with properly dried wood is critical to successful furniture making. A moisture meter will save the day when it comes to ensuring your solid wood is ready to work.



Angle Fix

For copying angles, generally to transfer that angle while using a mitre saw. As you adjust the angle of the arms a metal surface automatically bisects the angle, giving you something to reference off of.

This Workshop Poster sponsored by:

Lee Valley

www.leevalley.com

1-800-267-8761

